



Liquidline Q2

Bean to Cup Coffee Machine

An elegant and compact medium-capacity coffee machine that's designed to impress. Combining freshly ground beans and expertly blended powdered ingredients, the Q2 offers an array of quality beverages at the touch of a button.



LIQUIDLINE
Altogether better

Liquidline Q2

Liquidline Q2

This refined, contemporary and compact coffee machine has been developed to deliver great value, high-quality coffee experiences in medium-sized commercial locations. The Liquidline Q2 offers a range of beverages, is straightforward to maintain and is the perfect choice for growing businesses.

12 DRINKS OPTIONS

The Liquidline Q2 comes with a menu of 12 pre-programmed coffee shop favourites, including fluffy cappuccino and latte, as well as classic Italian espresso, Americano and delicious velvety hot chocolate. The independent hot water tap also allows for the preparation of tea, ensuring everyone in your workplace is catered for.

EASY TO MAINTAIN

Offering up to 150 cups per day, the Q2 is designed for medium-footfall areas. The extra-large hoppers ensure that refills are infrequent, and when these are required, they are straight-forward thanks to the conveniently located top-mounted hoppers.

Cleaning is equally simple, with a liquid waste tray and large coffee waste drawer accessible from the front of the machine. Simply empty and clean these daily, followed by a quick wipe down of all surfaces. A more intensive automated clean of the internal system is required once per week.

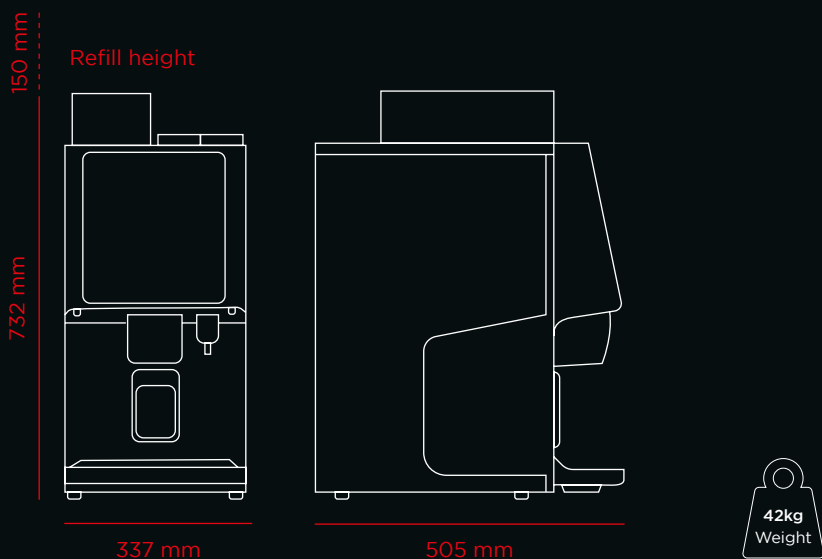
USER FRIENDLY OPERATION

Select your chosen beverage via the seamless touch selection display. Drinks are then dispensed in seconds via an illuminated dispense area with integrated dual height cup holders. Thanks to its high-pressure brewing system the Liquidline Q2 prepares beverages in record time, making this machine ideal for busy workplaces or coffee on the go.



“

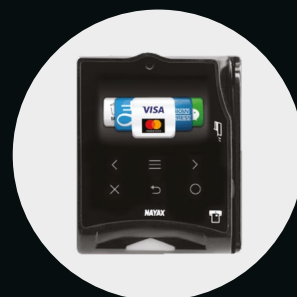
Thanks to its high-pressure brewing system the Liquidline Q2 prepares beverages in record time.”



Have You Thought About?



Single Base Cabinet
VITROBC



Nayax Contactless Payment System
NAYAXCR-TB



Cup Warmer
VITROCWM

Specification

Product ID	CTQ2
Cups per Day	Up to 150
Drink Configurations	12
Standard Drinks Configuration	Espresso, Double Espresso, Espresso Macchiato, Americano, White Coffee, Flat White, Latte, Cappuccino, Chocolate, Chocolatte, Mocha, Hot Water
Milk	Powdered
Coffee Bean Capacity	1.2kg
Powdered Milk Capacity	600g
Chocolate Capacity	800g
Energy	230 V, single AC plug socket
Water	Mains fed

Get in Touch

liquidline.co.uk
sales@liquidline.co.uk
0800 849 9110

liquidline.ie
sales@liquidline.ie
01 963 0314